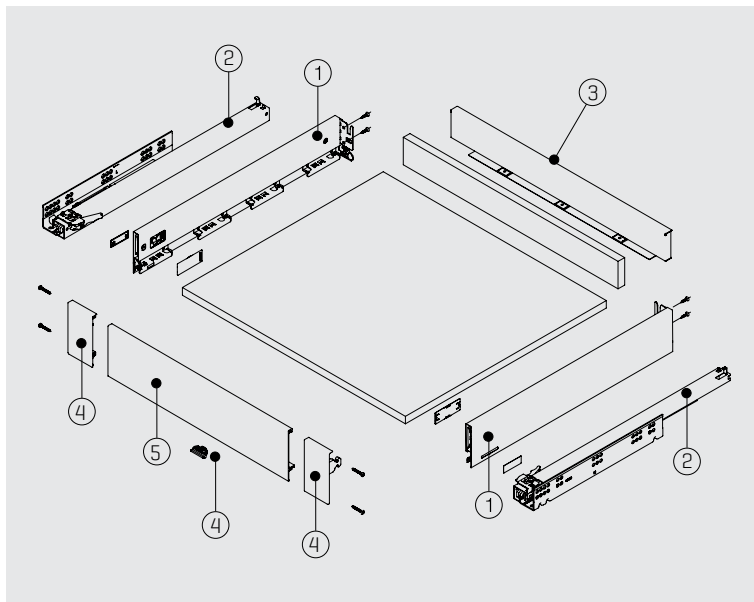


FLOWBOX

H 106 In-Box



- 12,8 mm ultra thin and elegant side design
- 5 different colours
- 4 different side heights with gallery railing usage
- Smooth and silent movement technology with improved synchronisation
- 270/ 300/ 350/ 400/ 450/ 500/ 550/ 600 mm drawer lengths
- 3D adjustment opportunity (right-left, up-down and tilt)
- Tool-less front panel assembly
- No cutting process for the base panel



NOMINAL SIZE	1-2	58 mm	PACKING
270 mm	127167●3⊙1**45		6 Set/ Box
300 mm	127167●3⊙2**45		6 Set/ Box
350 mm	127167●3⊙3**45		6 Set/ Box
400 mm	127167●3⊙4**45		6 Set/ Box
450 mm	127167●3⊙5**45		6 Set/ Box
500 mm	127167●3⊙6**45		6 Set/ Box
550 mm	127167●3⊙7**45		6 Set/ Box
600 mm	127167●3⊙8**45		6 Set/ Box

BOTTOM PANEL [●]	
16 mm	1
18 mm	2

Enter the number of your preferred bottom panel thickness to the [●] marked area.

SLIDE [⊙]	
Soft Close	8
Push Open	7
Push Open Soft Close	6

Enter the number of your preferred slide to the [⊙] marked area.

COLOR [**]	
White	01
Inox	04
Black	05
Mocha	06
Anthracite	07

Enter the number of your preferred color to the [**] marked area.

METAL BACKPANEL

NOMINAL SIZE	3	H 58	PACKING
450 mm	127962■01**		12 Pcs
600 mm	127962■02**		12 Pcs
900 mm	127962■03**		10 Pcs
1200 mm	127962■04**		12 Pcs

BOTTOM PANEL THICKNESS - CABIN SIDE PANEL THICKNESS [■]	
16 mm - 16 mm	6
18 mm - 16 mm	7
16 mm - 18 mm	8
18 mm - 18 mm	9

Enter the number of your preferred bottom panel / cabin side panel thickness to the [■] marked area.

COLOR [**]	
White	01
Black	05
Mocha	06
Anthracite	07

Enter the number of your preferred color to the [**] marked area.

FLOWBOX FRONT PANEL HOLDER

CODE	DEFINITION	4	PACKING
12796470**	Flowbox Front Panel Holder for H58		12 Set

[-] Panel bottom holder for 18 and 16 mm bottom panels are included in package.

FLOWBOX FRONT PANEL

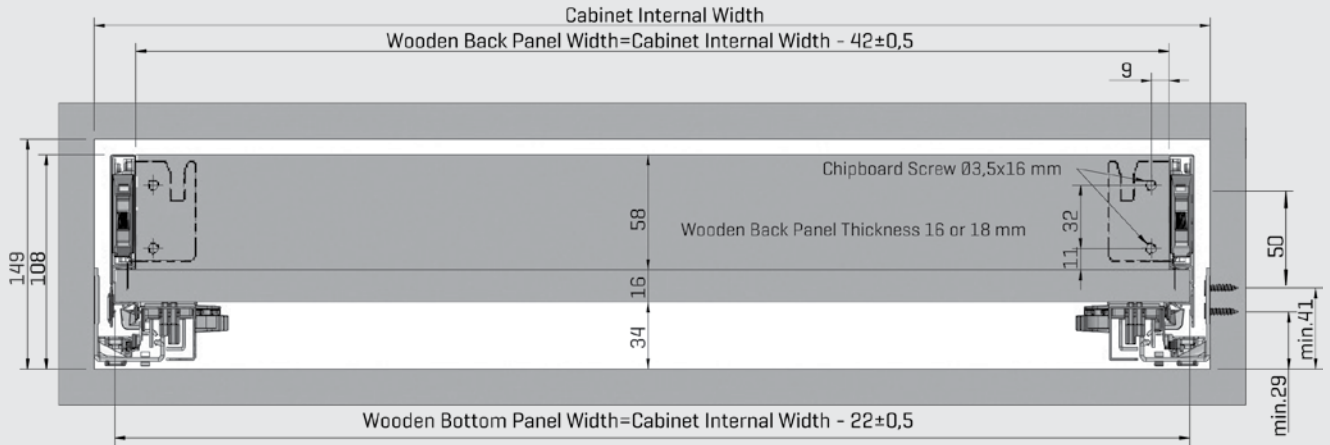
CODE	WIDTH	CABINET	5	PACKING
1279646**0290	450 mm	18 mm		12 Pcs
1279646**0440	600 mm	18 mm		12 Pcs
1279646**0740	900 mm	18 mm		12 Pcs
1279646**1040	1200 mm	18 mm		12 Pcs
1279646**1044	1200 mm	16 mm		12 Pcs

Enter the number of your preferred color to the [**] marked area.

COLOR [**]	
White	01
Black	05
Mocha	06
Anthracite	07

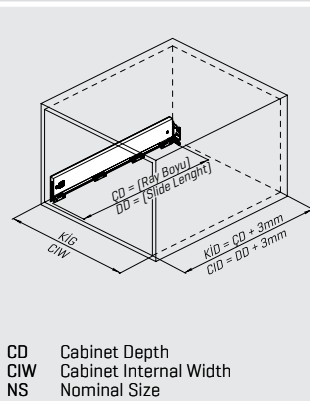
Enter the number of your preferred color to the [**] marked area.

Slide Mounting Dimensions

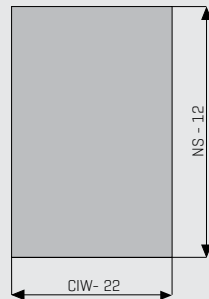


Calculation Method for Front Panel Dimensions: Cut Measurement = Cabinet Internal Width - 124

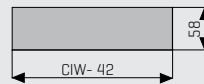
Wooden Back Panel Application



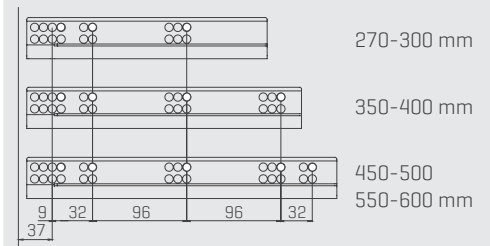
1. Wooden Drawer Bottom



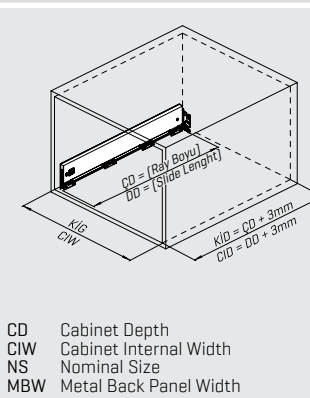
2. Wooden Back Panel



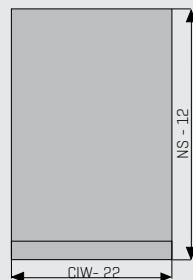
Slide Screw Location [In-Box]



Metal Back Panel Application



3. Wooden Drawer Bottom



Recommended Screws For Rail Assembly

Ø3,5x16 mm Chipboard Screw



Ø6,1x11,5 mm Euro Screw



*All dimensions in the graphs above are measured in mm