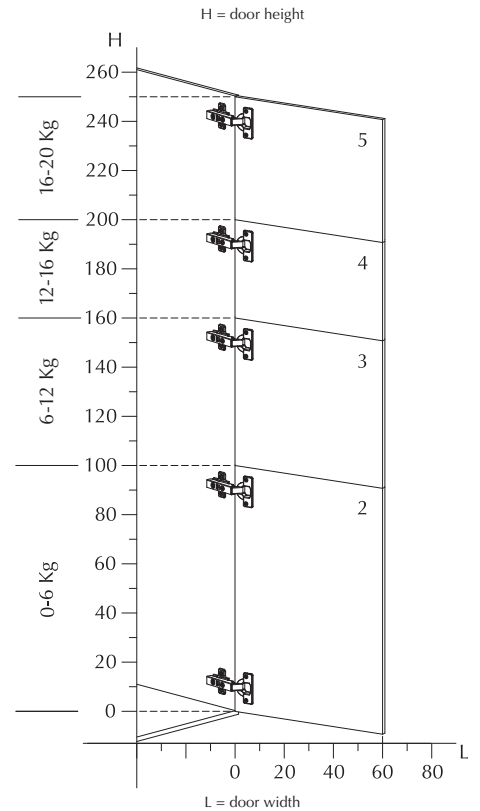
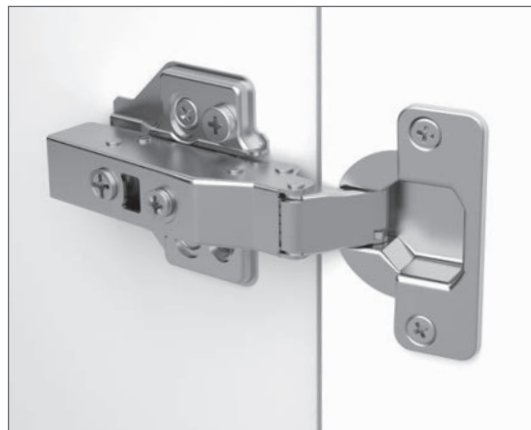
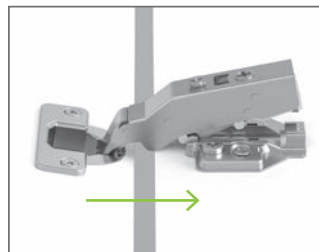


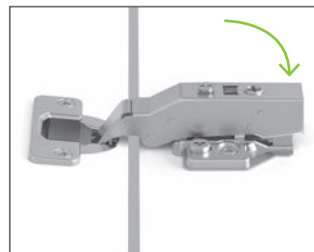
Integra



Mounting System



1 Place the front part of the hinge on the front side of the mounting plate.

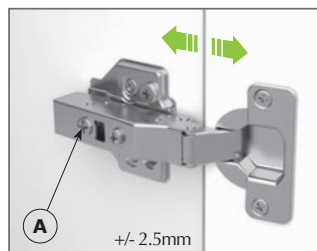


2 Rotate the arm of the hinge.

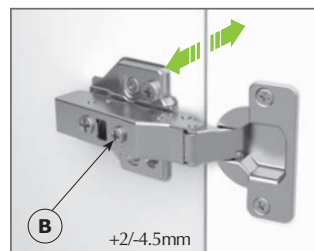


3 Press down the rear part of the hinge to Click on.

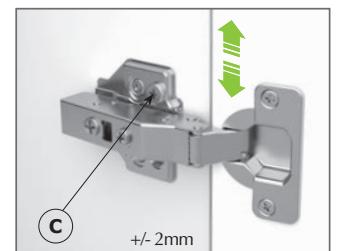
Adjusting System



Depth adjustment
Acting on the "A" screw it is possible to adjust the distance between the side of the cabinet and the door.



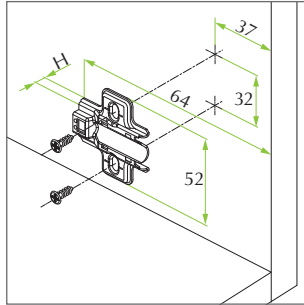
Independent side adjustment
Acting on the "B" screw it is possible to change the amount of the door covering on the side of the cabinet.



Vertical adjustment
Acting on the "C" screw of the mounting plate it is possible to adjust the door vertically.

Metal cruciform mounting plate. Selftapping screw fixing. Vertical adjustment.
Screws are provided on demand.

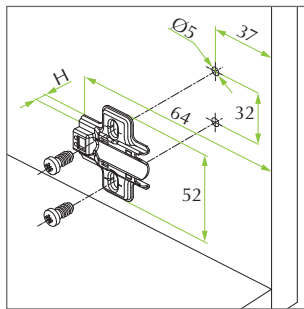
37



Height	Material	Code
H=0	Steel	52.5B01.M5.00.0
H=2	Steel	52.5B01.M5.02.0
H=4	Steel	52.5B01.M5.04.0

Metal cruciform mounting plate. Euro screws premounted. Vertical adjustment.

37

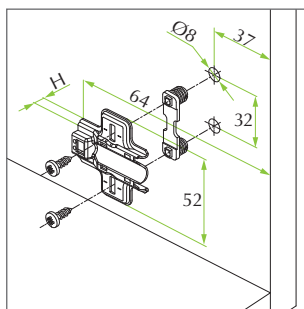


Height	Material	Code
H=0	Steel	52.5B16.M5.00.*
H=2	Steel	52.5B16.M5.02.*
H=4	Steel	52.5B16.M5.04.*

* A = B = G =

Metal cruciform mounting plate. Knock-in fixing with dowels Ø8mm. Vertical adjustment.

37

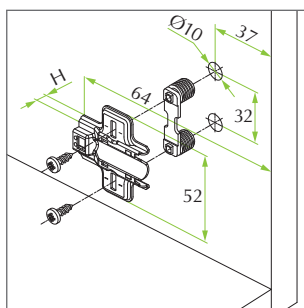


Height	Material	Code
H=0	Steel	52.5BC5.M5.00.0
H=2	Steel	52.5BC5.M5.02.0
H=4	Steel	52.5BC5.M5.04.0

C =

Metal cruciform mounting plate. Knock-in fixing with dowels Ø10mm. Vertical adjustment.

37



Height	Material	Code
H=0	Steel	52.5BD5.M5.00.0
H=2	Steel	52.5BD5.M5.02.0
H=4	Steel	52.5BD5.M5.04.0

D =