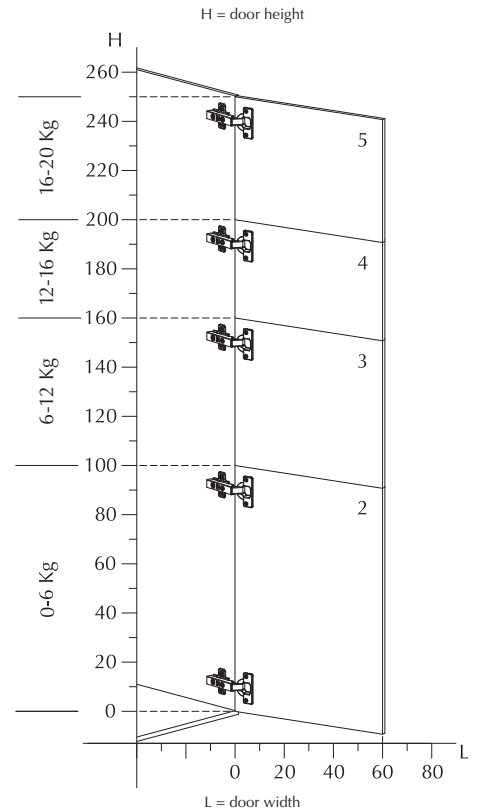
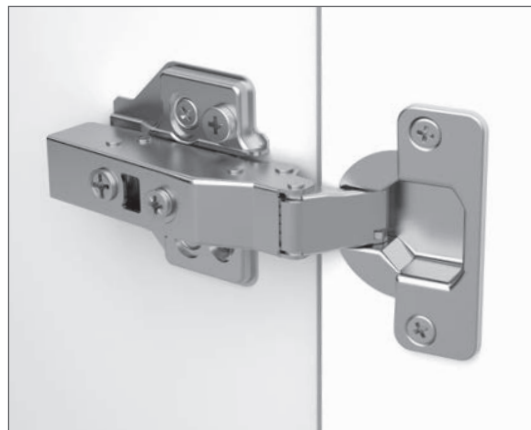
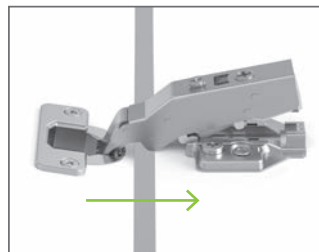


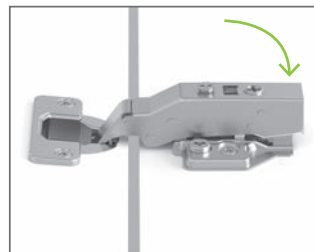
# Integra



## Mounting System



**1** Place the front part of the hinge on the front side of the mounting plate.

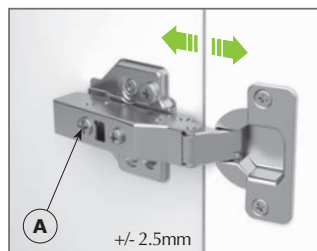


**2** Rotate the arm of the hinge.

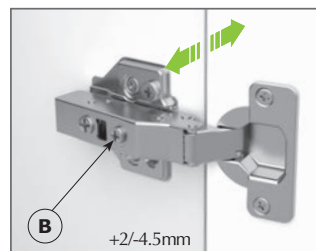


**3** Press down the rear part of the hinge to Click on.

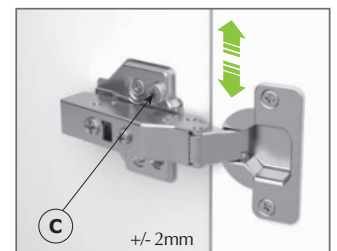
## Adjusting System



**Depth adjustment**  
Acting on the "A" screw it is possible to adjust the distance between the side of the cabinet and the door.

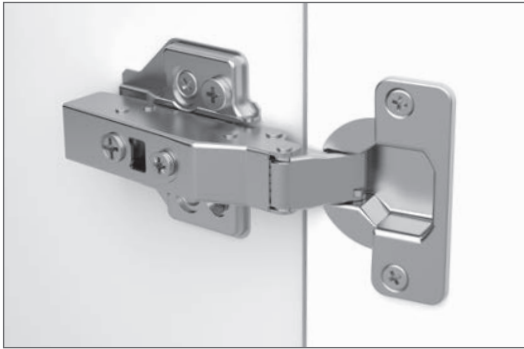


**Independent side adjustment**  
Acting on the "B" screw it is possible to change the amount of the door covering on the side of the cabinet.



**Vertical adjustment**  
Acting on the "C" screw of the mounting plate it is possible to adjust the door vertically.

# Integra 105°



## Technical specifications:

- Depth of the metal cup 11.3mm
- Cup diameter 35mm
- Opening 105° with (K) max 4mm and (T) max 18mm
- Possibility of door drilling (K) from 3 to 7 mm
- Thickness of the door (T) from 16 to 26 mm
- SlowMotion solution with linear damper

CRANK 0

CRANK 8

CRANK 15



I  
A  
D

51.BSH5.05.00.0  
51.BSH5.05.00.C  
51.BSH5.05.00.B

51.BSH5.05.08.0  
51.BSH5.05.08.C  
51.BSH5.05.08.B

51.BSH5.05.15.0  
51.BSH5.05.15.C  
51.BSH5.05.15.B



I  
A  
D

51.BSH6.05.00.M  
51.BSH6.05.00.N  
51.BSH6.05.00.E

51.BSH6.05.08.M  
51.BSH6.05.08.N  
51.BSH6.05.08.E

51.BSH6.05.15.M  
51.BSH6.05.15.N  
51.BSH6.05.15.E



I  
A  
D

51.BSH6.05.00.0  
51.BSH6.05.00.S  
51.BSH6.05.00.B

51.BSH6.05.08.0  
51.BSH6.05.08.S  
51.BSH6.05.08.B

51.BSH6.05.15.0  
51.BSH6.05.15.S  
51.BSH6.05.15.B

0, B = dowels Ø10mm / S = dowels Ø8mm



I  
A  
D

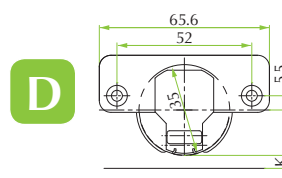
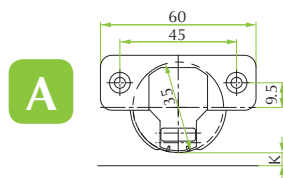
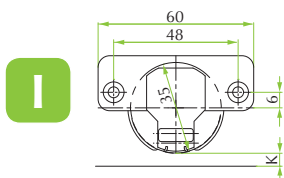
51.BSH8.05.00.V  
51.BSH8.05.00.S  
51.BSH8.05.00.Z

51.BSH8.05.08.V  
51.BSH8.05.08.S  
51.BSH8.05.08.Z

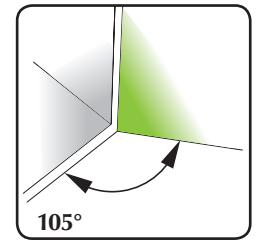
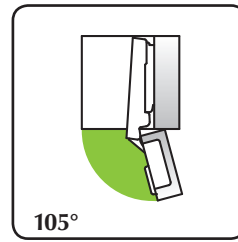
51.BSH8.05.15.V  
51.BSH8.05.15.S  
51.BSH8.05.15.Z

V, Z = dowels Ø10mm / S = dowels Ø8mm

Versions not damped (code 51.5SH5.05) available for all applications in the above table.



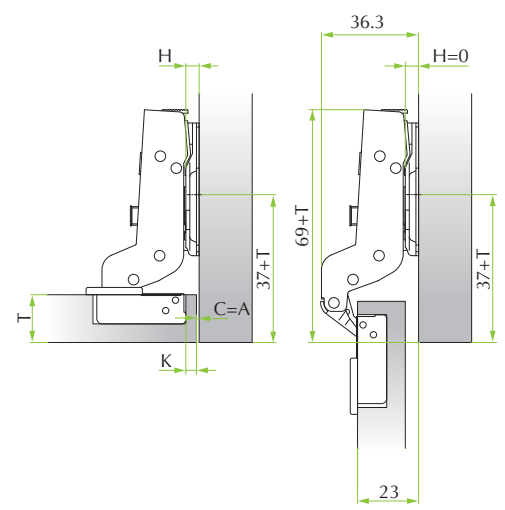
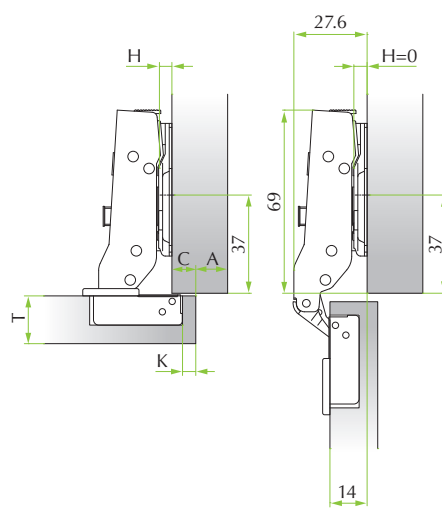
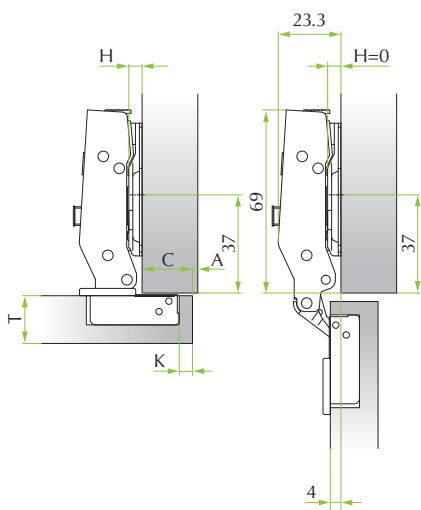
The mounting plates and fittings for this hinge series are shown from page 18 to page 20.



**CRANK 0**  
For lay-on doors

**CRANK 8**  
For partial lay-on doors

**CRANK 15**  
For inset doors



		Drilling distance (K)						
		3	4	5	6	7		
Overlay (C)	21					0		
	20				0			
	19			0	2			
	18		0	2				
	17	0	2	4				
	16	2	4					
	15	2	4					
	14	4						
13	4						Mounting plates (H)	

		Drilling distance (K)						
		3	4	5	6	7		
Overlay (C)	11					0		
	10				0			
	9			0	2			
	8		0	2				
	7	0	2	4				
	6	2	4					
	5	2	4					
	4	4						
3	4						Mounting plates (H)	

		Drilling distance (K)						
		3	4	5	6	7		
Overlay (C)	4	2						
	3		2					
	2	0		2				
	1		0		2			
	0			0		2		
								Mounting plates (H)

Table to determinate the minimum distance A so that a door with T thickness can open without protrusion from the cabinet and without interfering with adjacent doors.

	T=	16	17	18	19	20	21	22	23	24	25	26
K=3	A=	0.9	1.1	1.5	1.8	2.3	2.8	3.6	4.3	5.2	6.0	6.9
K=4	A=	0.8	1.1	1.4	1.8	2.2	2.7	3.3	4.0	4.7	5.5	6.5
K=5	A=	0.8	1.0	1.3	1.7	2.1	2.5	3.1	3.7	4.4	5.1	5.9
K=6	A=	0.8	1.0	1.3	1.6	2.0	2.4	2.9	3.5	4.1	4.8	5.5
K=7	A=	0.7	1.0	1.3	1.6	1.9	2.3	2.7	3.3	3.8	4.5	5.2