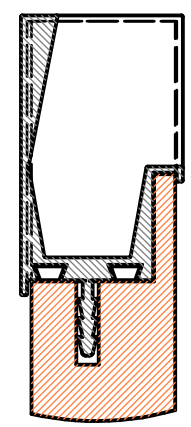
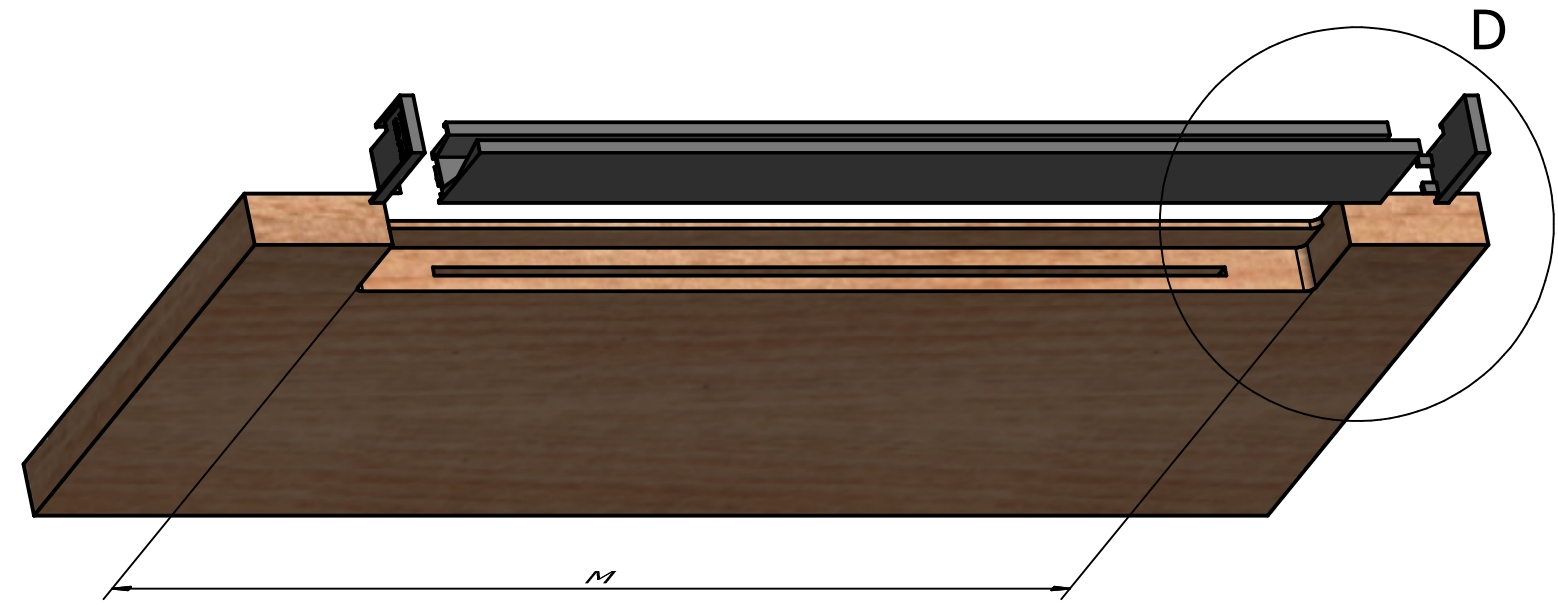
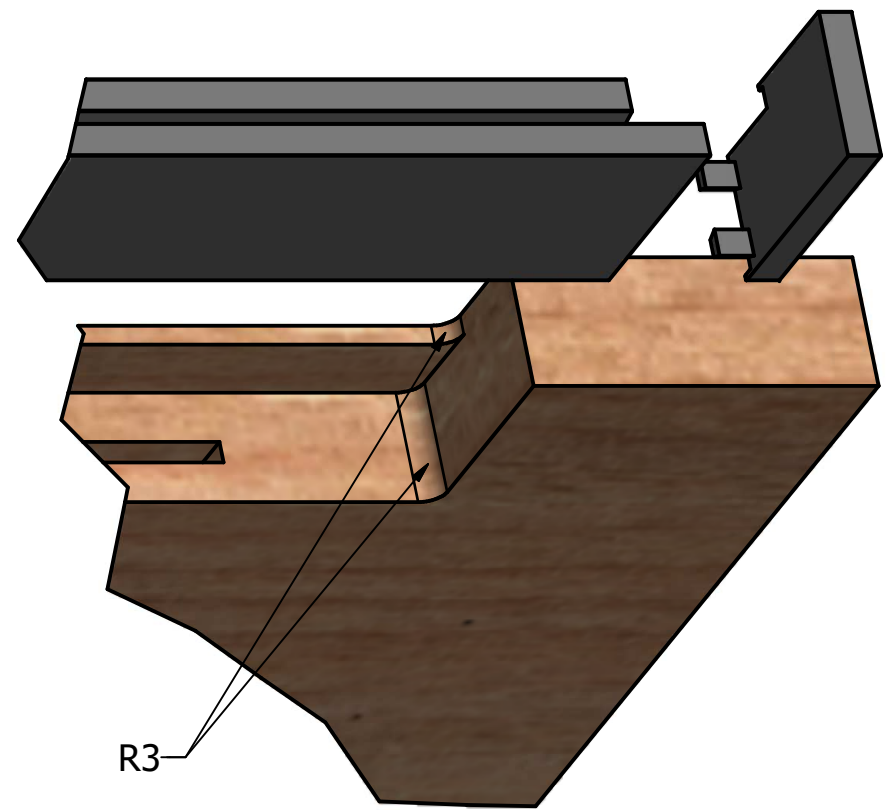


**ASSEMBLY
DETAIL**



**D
DETAIL**



SIZE	M
200	196.5
350	346.5
1100	1096.5

*M = profile length + 3mm (cover A) + 3mm (cover B) + 0.5mm (safety)

Nº	Modification	Date	Tolerance	Scale	Drawing	18/06/2019	Marta Antolin
01	Table of sizes added	30.10.19	ISO 2768-m	1:1	Checked	18/06/2019	Marta Antolin
Material:							A3
Quality: <input type="checkbox"/> For inspection							
HEXXA							
Version: 0449_Assembly_01							

