

300 00 Z2 00 A2

+20mm
0mm

100 Kg

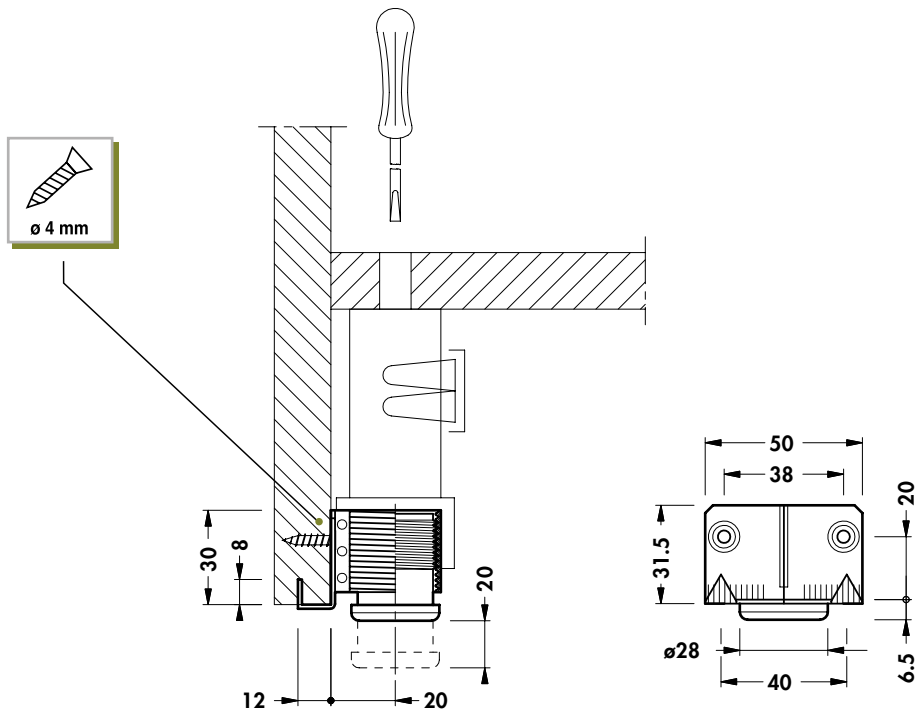
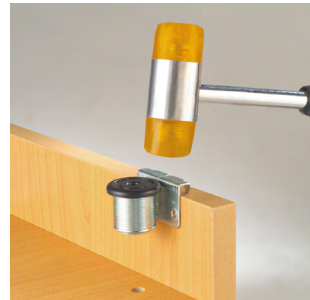
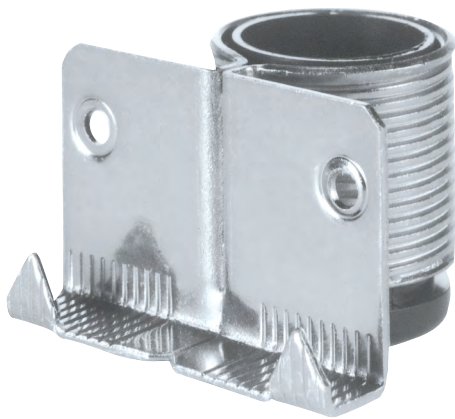

ABS

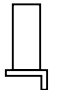
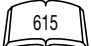
Fe

 200

 6000

 1000



9  **300**
 615